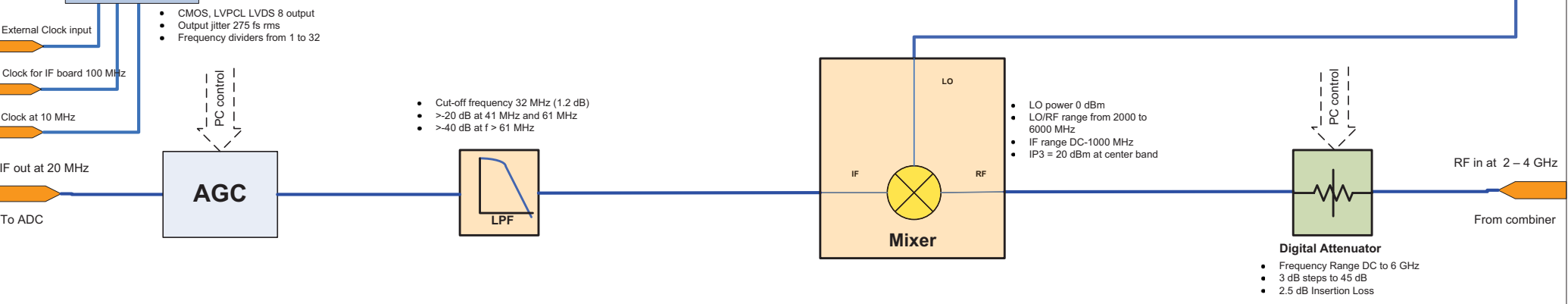
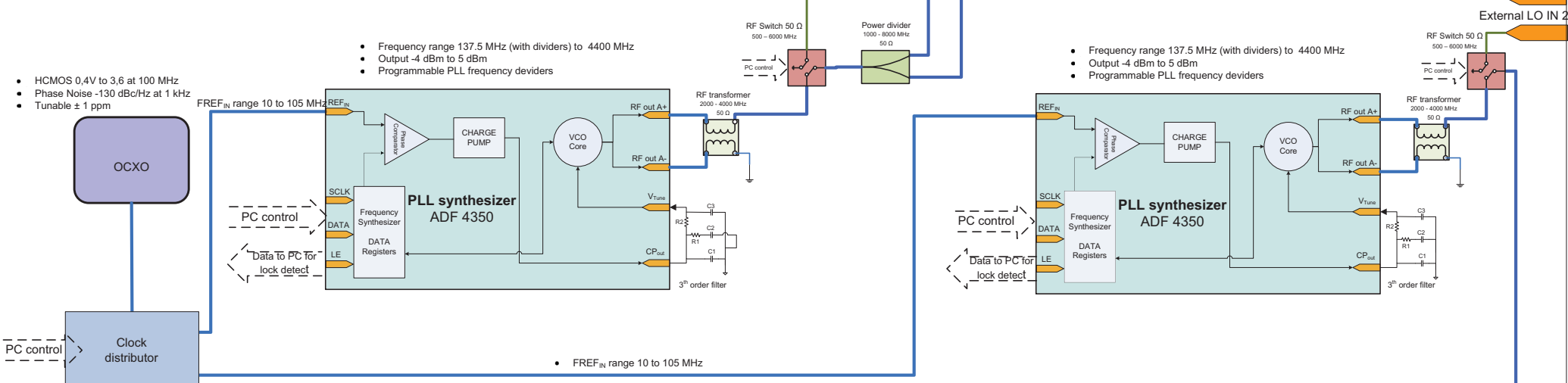
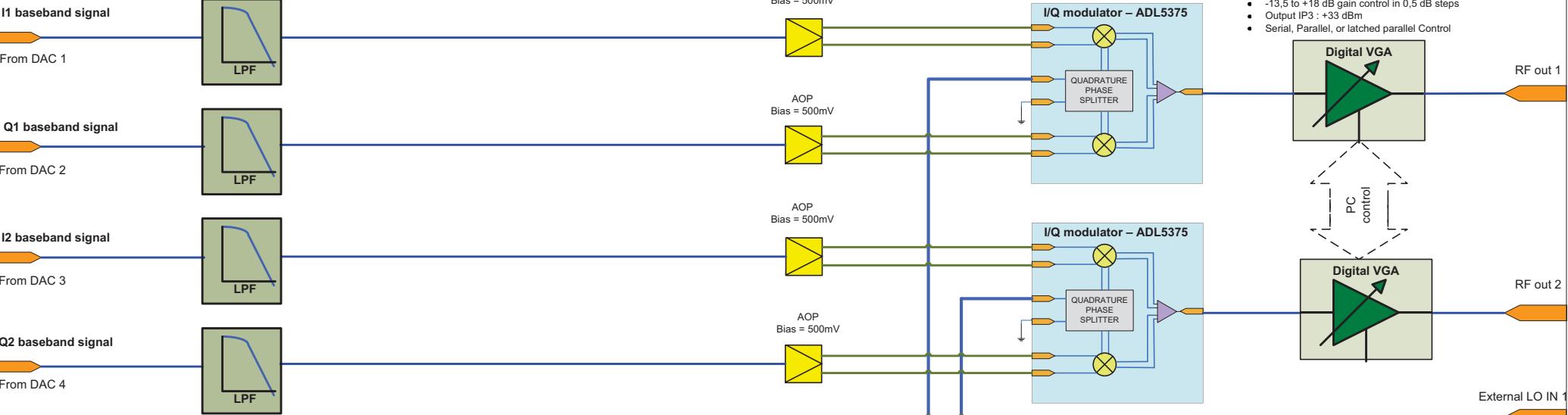


# RF Board - LINC transmitter

- Pass band DC to 22 Mhz
- Fco 24.5 Mhz at 3 dB
- > 40 dB between 41 and 200 Mhz (79 dB at 80 Mhz)

- Output frequency range: 400 Mhz to 6 GHz
- LO Drive Level: -6 dBm to +7 dBm, for f<sub>LO</sub> from 500 Mhz to 3.3 GHz
- Output Power from 0.87 to 2.4 dBm, with LO = 0 dBm.
- I/Q Input Bias Level = 500 mV.

- DC to 6 GHz
- -13,5 to +18 dB gain control in 0,5 dB steps
- Output IP3 : +33 dBm
- Serial, Parallel, or latched parallel Control



- HCMOS 0,4V to 3,6 at 100 MHz
- Phase Noise -130 dBc/Hz at 1 kHz
- Tunable ± 1 ppm

- Frequency range 137.5 MHz (with dividers) to 4400 MHz
- Output -4 dBm to 5 dBm
- Programmable PLL frequency dividers

- Frequency range 137.5 MHz (with dividers) to 4400 MHz
- Output -4 dBm to 5 dBm
- Programmable PLL frequency dividers

• FREF<sub>IN</sub> range 10 to 105 MHz

- CMOS, LVPCL LVDS 8 output
- Output jitter 275 fs rms
- Frequency dividers from 1 to 32

- Cut-off frequency 32 MHz (1.2 dB)
- >20 dB at 41 MHz and 61 MHz
- >40 dB at f > 61 MHz

- LO power 0 dBm
- LO/RF range from 2000 to 6000 MHz
- IF range DC-1000 MHz
- IP3 = 20 dBm at center band

- Frequency Range DC to 6 GHz
- 3 dB steps to 45 dB
- 2.5 dB Insertion Loss